

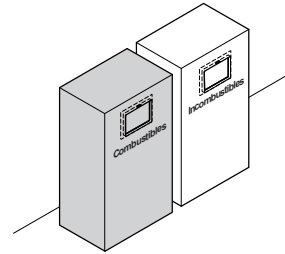
# LAMP

## AZ-GD231 STAINLESS STEEL SOFT CLOSING FLAP LID SYSTEM Installation instructions

Thank you for selecting our product. Before starting installation, please read this manual thoroughly to ensure correct installation. Please keep this manual at hand for future reference.

### ABOUT THE PRODUCT

- Damper allows silent closing of lid.
- Side plates for anti-pinch function.



### FOR YOUR SAFE WORK AND CORRECT INSTALLATION

#### Meaning of symbols



**Caution** If not followed injury or damage may result.

- ❗ The AZ-GD231 is designed to function when installed vertically as shown below. Horizontal, slanted or upside down installation will result in improper function and may lead to injury.
- ❗ To prevent the risk of the product falling and causing injury, ensure that the AZ-GD231 is securely fastened to a structure with adequate strength.
- ❗ Do not disassemble nor modify any parts other than those described in this document.
- ❗ Recommended ambient temperature range is 0 to 40 degrees centigrade.
- ❗ The closing speed of the lid may vary according to ambient temperature. If the product is stored below zero degrees, please store in room temperature for several hours before use.

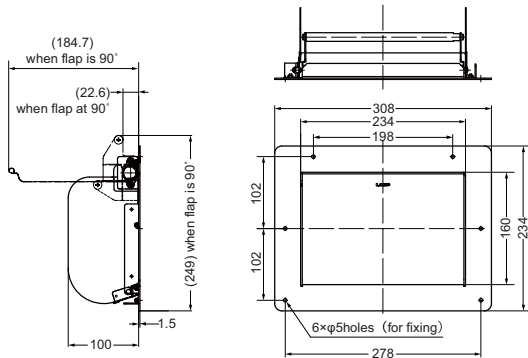
### Parts description

Description	Quantity
Flap lid body	1
Warning sticker	1
Cover caps	4

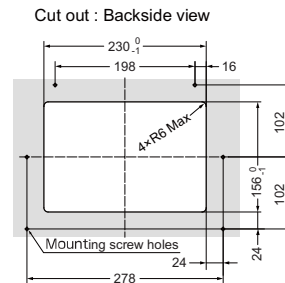
### Tools needed for assembly

- Edge tape
  - Screws (not provided)
- Choose the suitable length according to the material to be mounted.  
Recommended screw : 4mm tapping screw . . . . . 6 pcs

### Dimension drawing

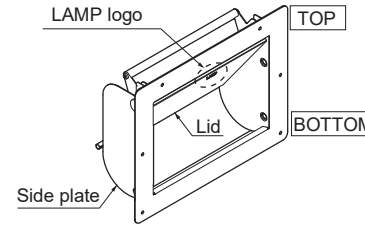


### Cutout dimensions

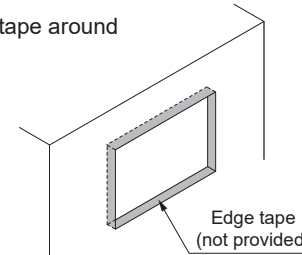


### Installation procedure

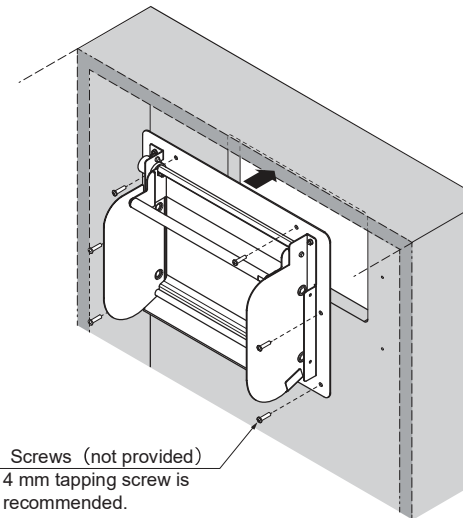
**1** Make sure that the LAMP logo is at the top.



**2** Stick the edge tape around the hole.

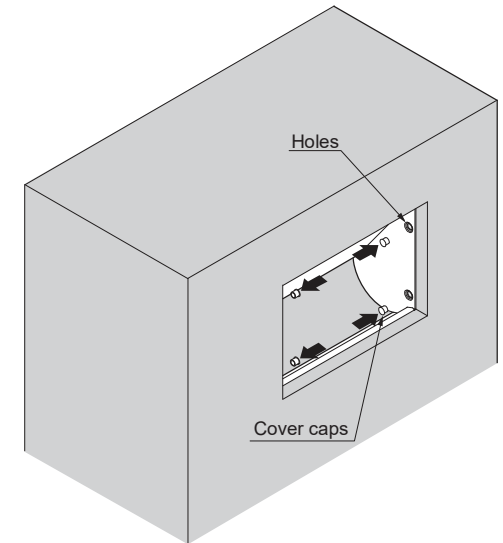


**3** <1> Fasten the unit with six screws.  
<2> Make sure that the final assembly is securely fastened.

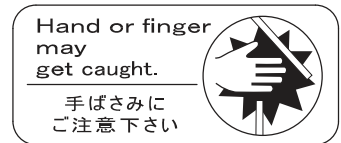


**4** Slowly open and close the lid completely a few times in order to ensure correct operation.

**5** Cover the holes with the provided cover caps.



**6** Paste the warning sticker in a visible position to avoid any injury when using the lid.



**SUGATSUNE KOGYO CO.,LTD**  
Tokyo, JAPAN  
Phone: +81 (0)3 3866 2260 E-mail:export@sugatsune.co.jp  
**SUGATSUNE KOGYO (UK) LTD**  
Reading, UK  
Phone: +44 118 9272 955 E-mail:sales@sugatsune.co.uk  
**SUGATSUNE EUROPE GmbH**  
Düsseldorf, GERMANY  
Phone: +49 211 53812900 E-mail:sales@sugatsune.eu

**SUGATSUNE SHANGHAI Co., LTD**  
Shanghai, CHINA  
Phone: +86 21 3632 1858 E-mail:lamp@sugatsune.com.cn  
**Guangzhou, CHINA**  
Phone: +86 20 6639 3552 E-mail:lamp@sugatsune.com.cn  
**SUGATSUNE KOGYO INDIA PRIVATE LIMITED**  
Mumbai, INDIA  
Phone: +91 22 28314490/91 E-mail:sales@sugatsune.in

**SUGATSUNE AMERICA, INC**  
California, USA  
Phone: +1 310 329 6373 E-mail:sales@sugatsune.com  
**Chicago, USA**  
Phone: +1 312 461 1081 E-mail:chicagoshowroom@sugatsune.com  
**SUGATSUNE CANADA, INC.**  
E-mail:support@sugatsune.ca  
Phone: +1 514 312 5267